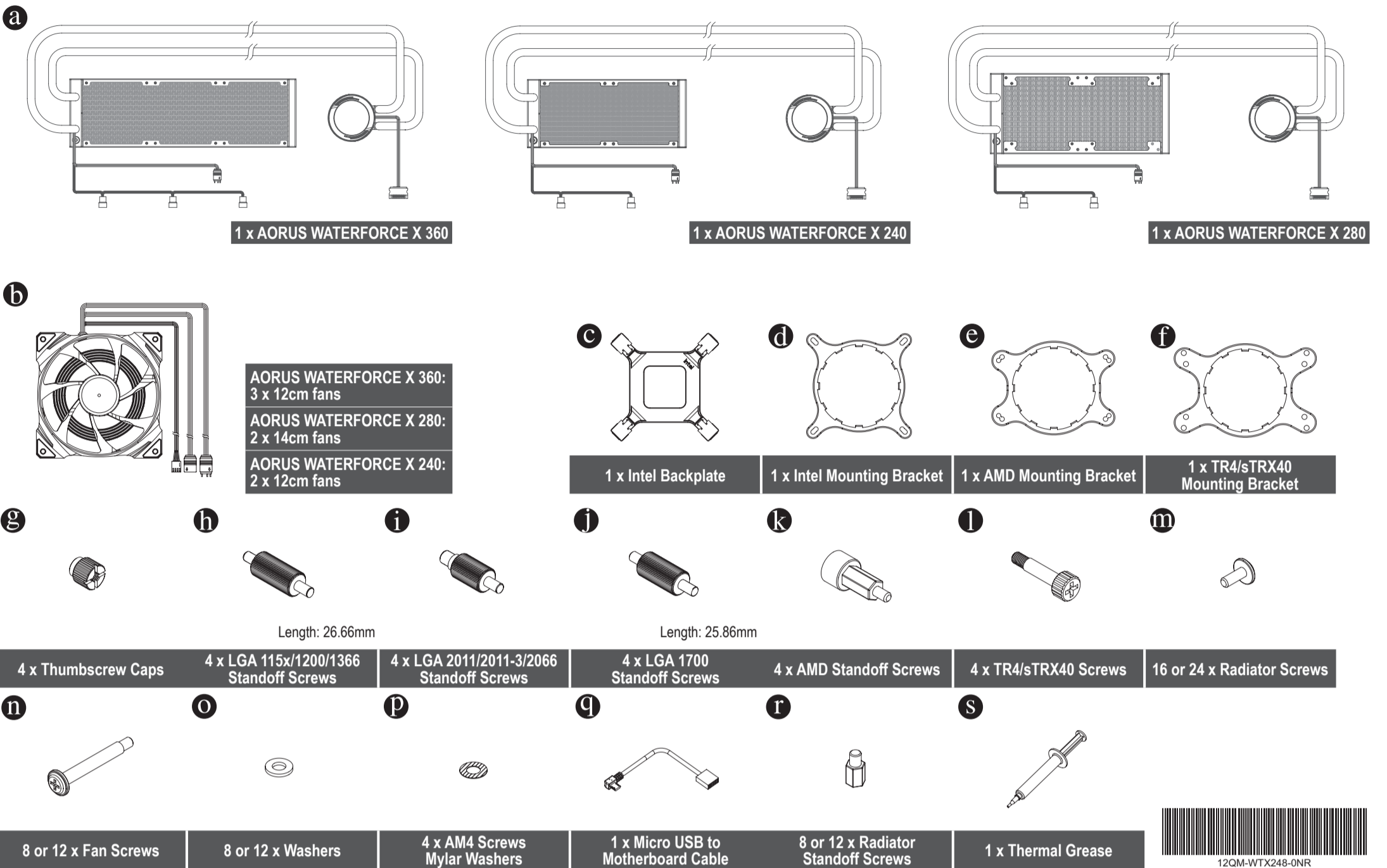
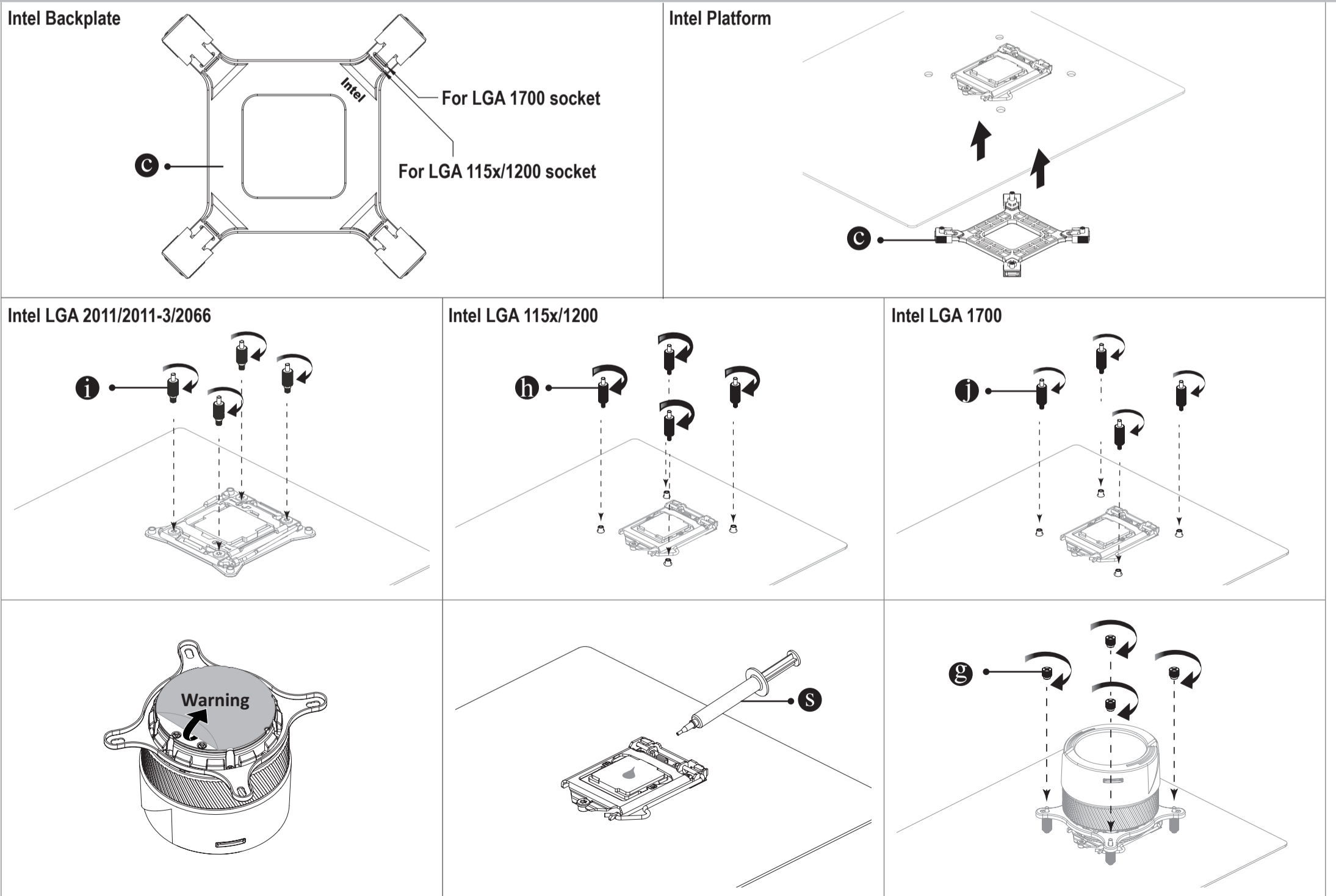


AORUS WATERFORCE X Quick Installation Guide

Package Contents:

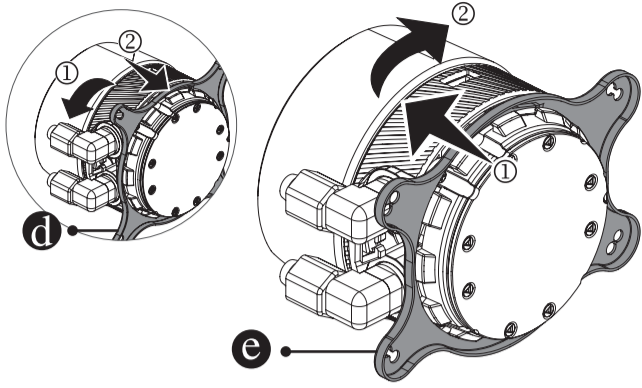


Installing the Mounting Bracket

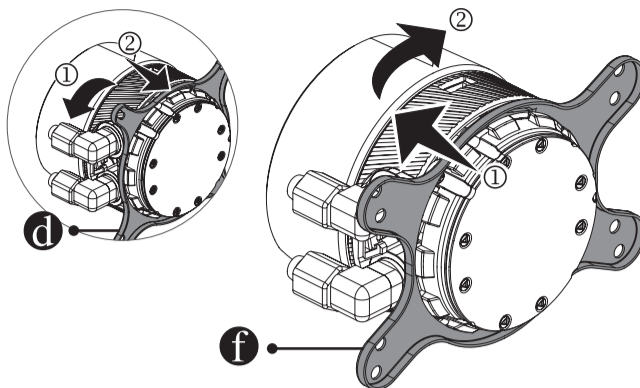


Installing the Mounting Bracket

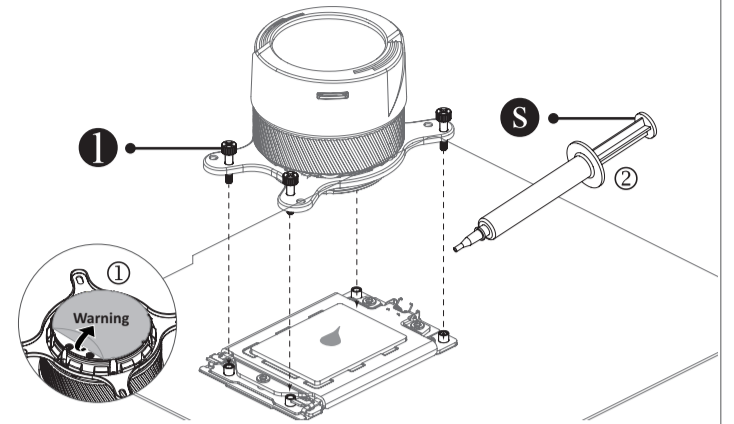
AMD AM4



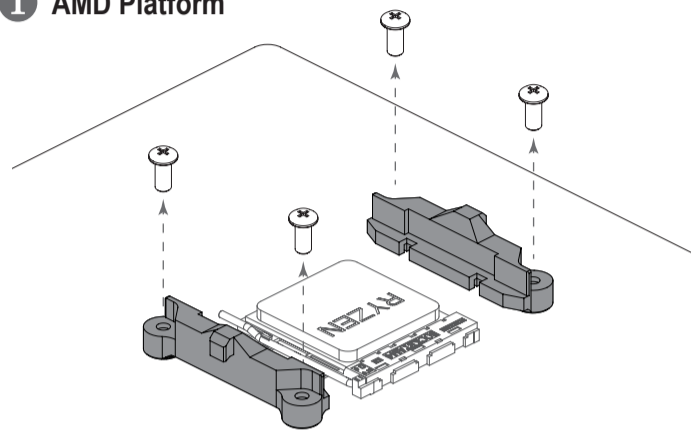
AMD TR4/sTRX40



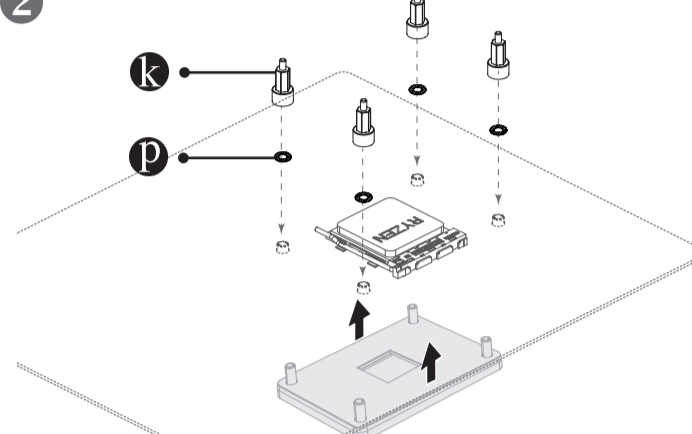
AMD TR4/sTRX40 Platform



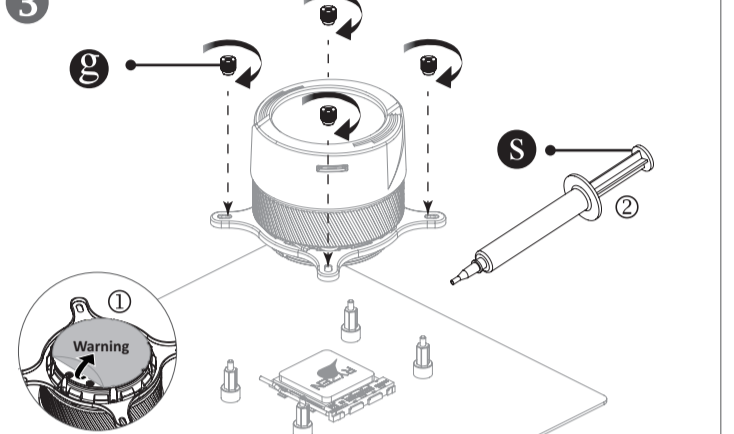
1 AMD Platform



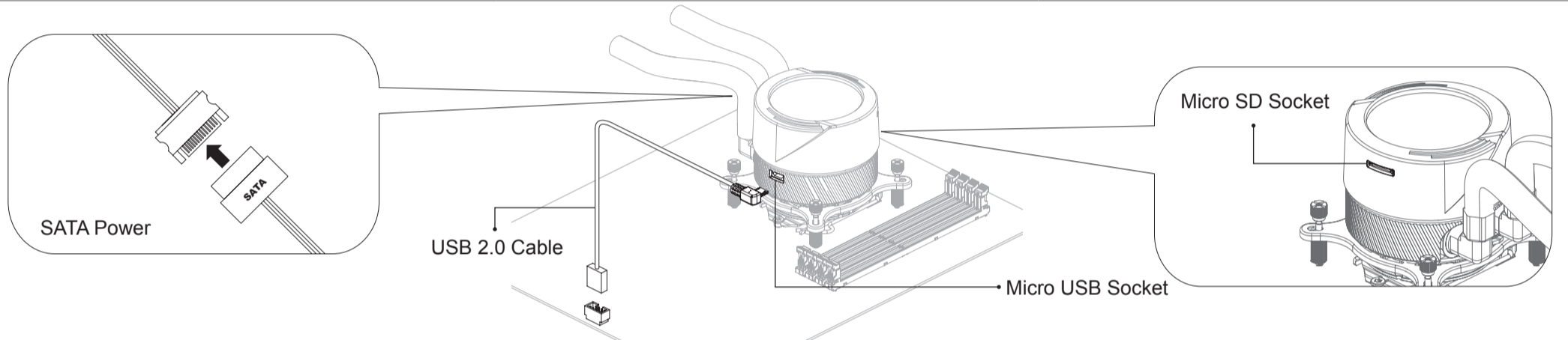
2



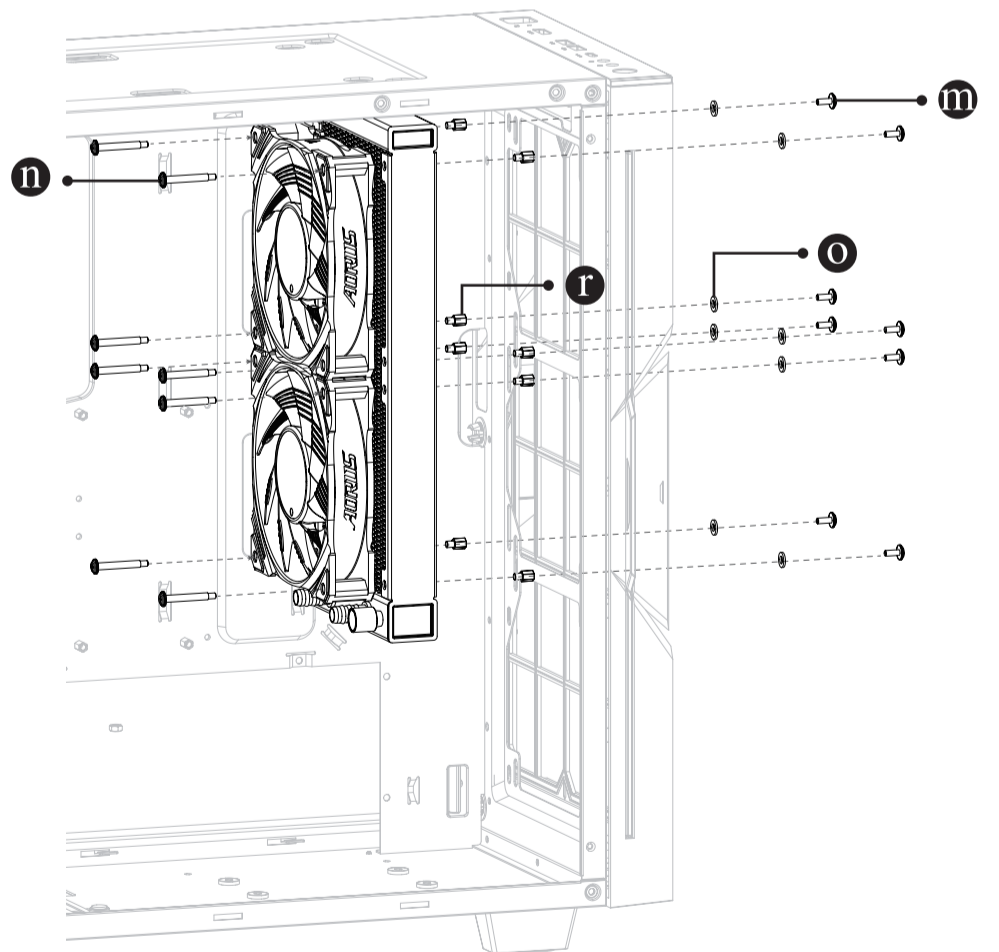
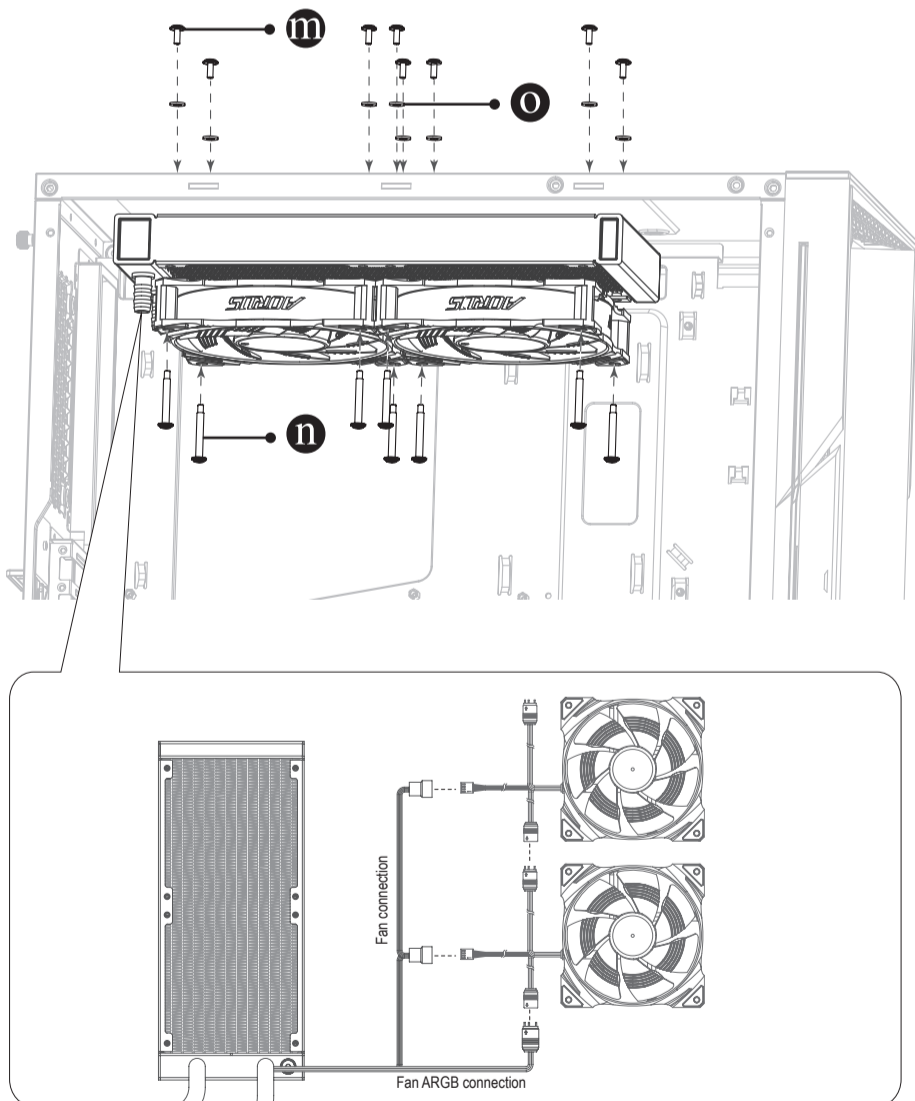
3



4



Cable Connection



Note: **I** screws are for use on AC300G & AC300W only.



Contact Us

GIGA-BYTE TECHNOLOGY CO., LTD.

Address: No.6, Baoqiang Rd., Xindian Dist., New Taipei City 231, Taiwan
 TEL: +886-2-8912-4000, FAX: +886-2-8912-4005
 Tech. and Non-Tech. Support (Sales/Marketing) : <https://esupport.gigabyte.com>
 WEB address (English): <https://www.gigabyte.com>
 WEB address (Chinese): <https://www.gigabyte.com/tw>

Copyright

© 2021 GIGA-BYTE TECHNOLOGY CO., LTD. All rights reserved.
 The trademarks mentioned in this manual are legally registered to their respective owners.

Disclaimer

Information in this manual is protected by copyright laws and is the property of GIGABYTE.
 Changes to the specifications and features in this manual may be made by GIGABYTE without prior notice.
 No part of this manual may be reproduced, copied, translated, transmitted, or published in any form or by any means without GIGABYTE's prior written permission.
 For product-related information, check on our website at: <https://www.gigabyte.com>

GIGABYTE™